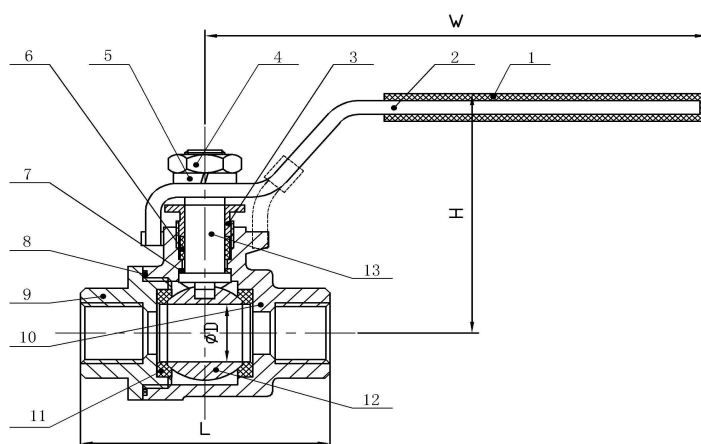


# Cangzhou Changyuan Fittings Co.,Ltd

Add:No.26 Shiqang Road,Development Zone,Cangzhou ,Hebei,China Pc:061000

[Http://www.con-well.com](http://www.con-well.com) email:con-well@vip.163.com



## 2PC BALL VALVE (FULL PORT) (mm)

DN	G	D	L	H	W	Unit weight(KG)	Qty/Carton
8	1/4"	12.5	49.0	47.0	100.00	0.200	
10	3/8"	12.5	49.0	47.0	100.00	0.200	
15	1/2"	15.0	57.0	48.0	100.00	0.250	
20	3/4"	20.0	64.0	60.0	112.00	0.385	
25	1"	25.0	75.2	64.5	112.00	0.555	
32	1 1/4"	32.0	88.5	77.5	145.00	0.960	
40	1 1/2"	38.0	97.0	82.0	145.00	1.350	
50	2"	50.0	120.5	97.0	165.00	2.180	
65	2 1/2"	65.0	150.0	117.0	230.00	4.400	
80	3"	76.0	168.0	126.0	230.00	6.350	
100	4"	94.0	214.0	172.0	308.00	11.860	

## MATERIAL LIST

ITEM	DESCRIPTION	MATERIAL
1	PLASTIC COVER	PLASTIC
2	HANDLE	304
3	GLAND NUT	304
4	STEM NUT	304
5	THRUST WASHER	304
6	STEM PACKING	PTFE
7	STEM SEAL	PTFE
8	BODY SEAL	PTFE
9	CAP	CF8/CF8M
10	BODY	CF8/CF8M
11	BALL SEAT	PTFE
12	BALL	304/316
13	STEM	304

## FEATURES:

- Handle with lock can be choiced.
- Working pressure:1000PSI(PN64).
- Working temperature:-10℃ to 150℃.
- Suitable medium:W.O.G.
- Thread: BSP,BSPT,DIN,NPT.
- PED97/23/EC(CE0038)Approved.
- Inspection Testing:API598,EN12266.
- Size of carton:28.5x25.5x18.5cm.
- Size of carton for size 4":44.5x28x19.50cm.